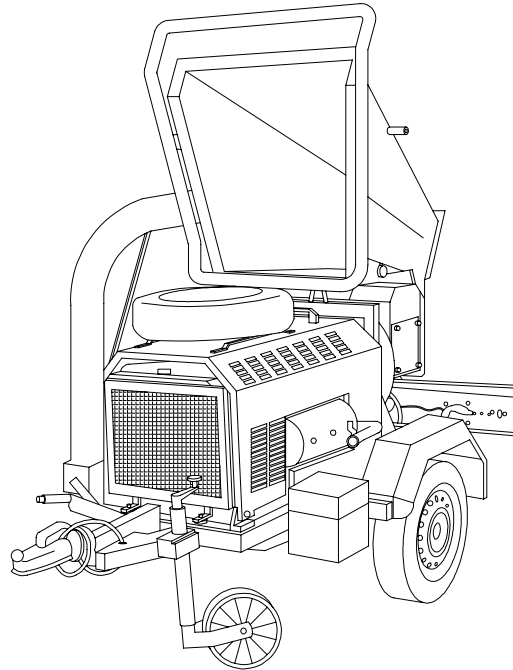


SPARE PARTS LIST

Cippo 10



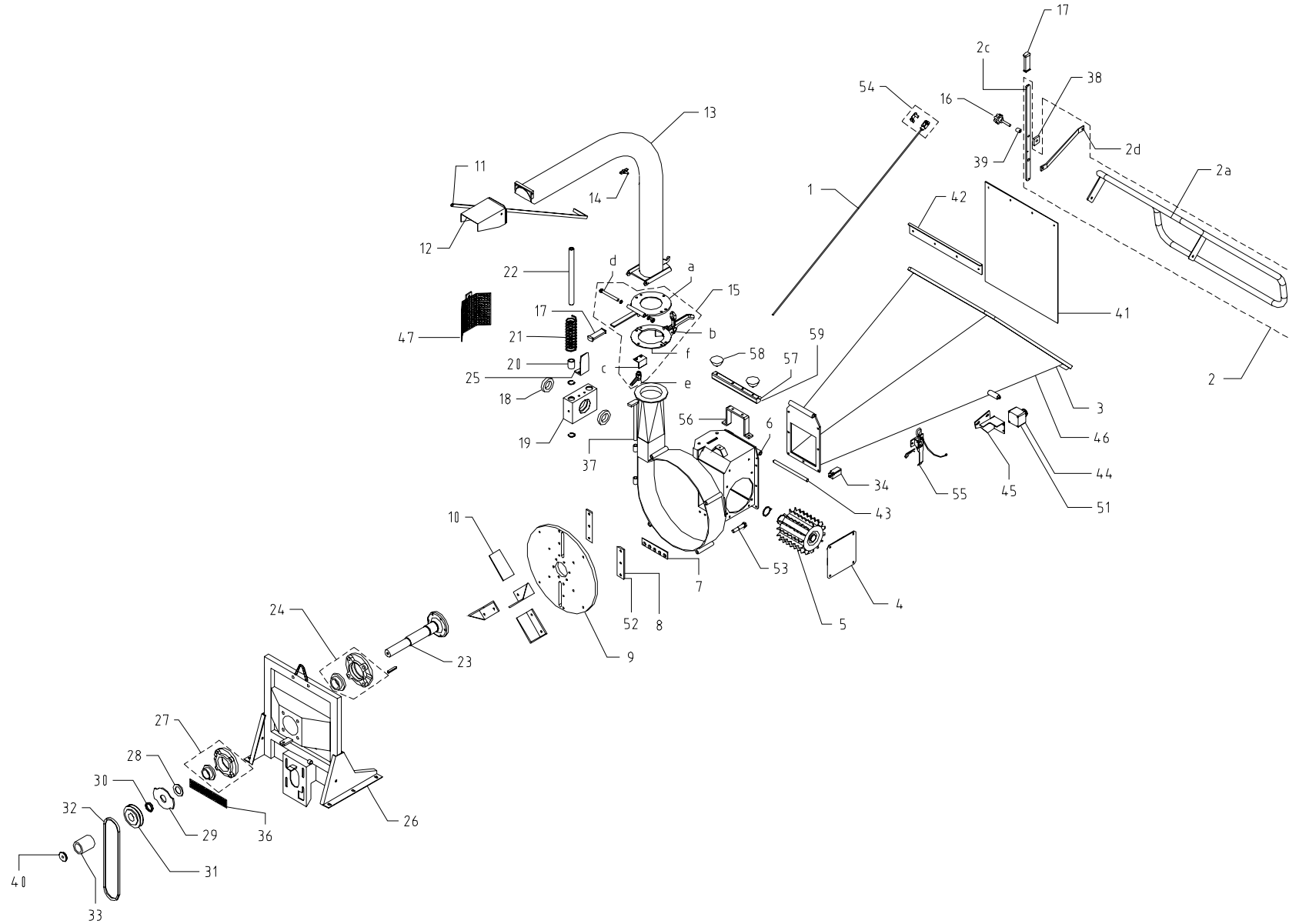
INDEX

TABLE 1	Basic Machine
TABLE 2	Petrol Transmission HP 20
TABLE 3	4 wheels trailer
TABLE 4	Road trailer 80 Km/h
TABLE 5	Hydraulic System
TABLE 6	Diesel Transmission HP 27 D (L)
TABLE 7	PTO Transmission

POS.	DESCRIPTION	Q.TY	CODE
1	Feed roller command cable	1	CP10010001
2a	Feed roller command bar	1	CP10010002a
2c	Command lever	1	CP10010002c
2d	Plate	2	CP10010002d
2	Feed roller command assembly	1	CP10010002
3	Short hopper (PTO)	1	CP10010003
4	Inspection plate	1	CP10010004
5	Feed roller	1	CP10010005
6	Chipper case	1	CP10010006
7	Counter blade	1	CP10010007
8	Chipper blade	2	CP10010008
9	Chipper disc	1	CP10010009
10	Vane	4	CP10010010
11	Adjustment chute bar	1	CP10010011
12	Discharge chute	1	CP10010012
13	Adjustable discharge stack	1	CP10010013
14	Wing 6E M10x30	1	CP10010014
15	Discharge tube hinge assembly	1	CP10010015
15a	Upper flange	1	CP10010015a
15b	Flange with hook	1	CP10010015b
15c	Angle plate	1	CP10010015c
15d	Screw TE M10x150	1	CP10010015d
15e	Handle	1	CP10010015e
15f	Lower flange	1	CP10010015f
16	Wing 6E M 10x60	2	CP10010016
17	Handle grip 25x8	2	CP10010017
18	Bearing 6010 2RS	2	CP10010018
19	Aluminium block	1	CP10010019
20	Bearing brass	4	CP10010020
21	Spring	2	CP10010021
22	Pin ϕ 25	2	CP10010022
23	Shaft	1	CP10010023
24	Bearing UCFC 211	1	CP10010024
25	Feed roller protection	1	CP10010025
26	Counter frame for chipper case	1	CP10010026

POS.	DESCRIPTION	Q.TY	CODE
27	Bearing UCFC 210	1	CP10010027
28	Spacer for counter rews disc	1	CP10010028
29	Counter rews disc	1	CP10010029
30	Spacer H=10	1	CP10010030
31	Pulley 1A 118	1	CP10010031
32	Belt A-39	1	CP10010032
33	Spacer	1	CP10010033
34	Safety switch	1	CP10010034
36	Drilled plate	1	CP10010036
37	Pin for hinge case	1	CP10010037
38	Plate	1	CP10010038
39	Spacer	1	CP10010039
40	Washer	1	CP10010040
41	Protection rubber	1	CP10010041
42	Angle plate	1	CP10010042
43	Pin for hinge hopper	1	CP10010043
44	Emergency button (petrol)*	1	CP10010044
45	Support for emergency button*	1	CP10010045
46	Long hopper (B/D/E)	1	CP10010046
47	Aluminium block protection	1	CP10010047
48	Screw M8x160*	1	CP10010048
49	Safety switch key*	1	CP10010049
50	Safety switch*	1	CP10010050
51	Emergency button (diesel)*	1	CP10010051
52	Chipper blade (twin version)	2	CP10010052
53	Screw M16x80	5	CP10010053
54	Fork M 8	1	CP10010054
55	Hook	1	CP10010055
56	Support bracket	1	CP10010056
57	Support for long hopper	1	CP10010057
58	Rubber feet	2	CP10010058
59	Support for short hopper	1	CP10010059

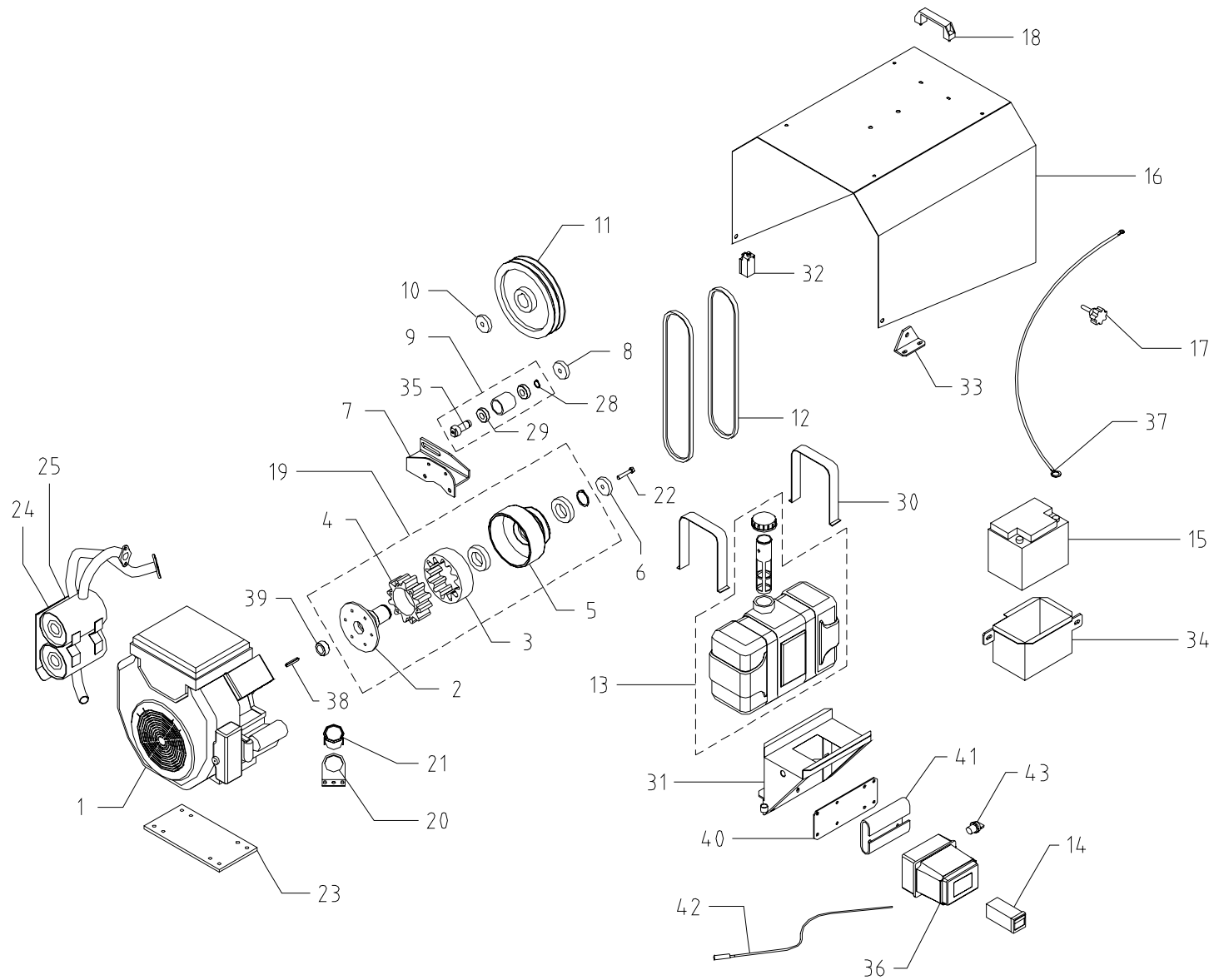
* Optional item



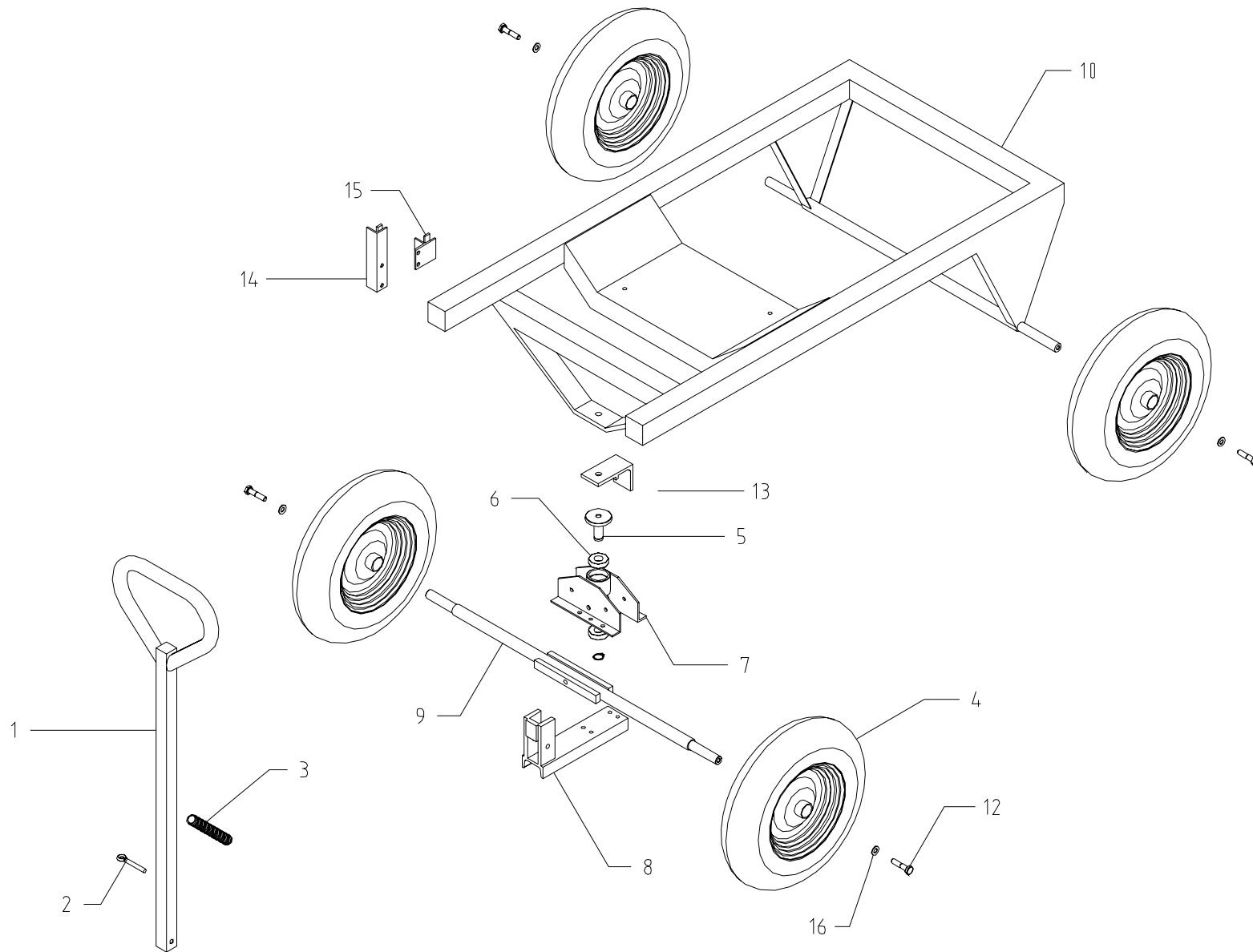
Cippo 10**TABLE 2 - Petrol transmission HP 20 B**

POS.	DESCRIPTION	Q.TY	CODE
1	Engine Honda GX 620 with wiring	1	CP10020001
2	Flywheel	1	CP10020002
3	Centrifugal rubber ϕ 155	1	CP10020003
4	Aluminium star	1	CP10020004
5	Half bearing with pulley	1	CP10020005
6	Washer	1	CP10020006
7	Idler support	1	CP10020007
8	Washer	1	CP10020008
9	Idler	1	CP10020009
10	Washer	1	CP10020010
11	Pulley 2B 224	1	CP10020011
12	Belt B-41	2	CP10020012
13	Fuel tank	1	CP10020013
14	Electronic no-stress device	1	CP10020014
15	Battery	1	CP10020015
16	Engine cover	1	CP10020016
17	Wing 6E M10x40	2	CP10020017
18	Hand grip	1	CP10020018
19	Centrifugal clutch assembly	1	CP10020019
20	Counter hours support	1	CP10020020
21	Counter hours	1	CP10020021
22	Screw 3/8" UNF	1	CP10020022
23	Plate for engine basement	1	CP10020023
24	Muffler (Old version K0)	1	CP10020024
25	Muffler (New version K1)	1	CP10020025

POS.	DESCRIPTION	Q.TY	CODE
26	-	-	-
27	-	-	-
28	Seeger ring ϕ 20	2	CP10020028
29	Bearing 6004 2RS	2	CP10020029
30	Plate for tank clamp	2	CP10020030
31	Tank support	1	CP10020031
32	Safety switch	1	CP10020032
33	Plate	2	CP10020033
34	Battery box	1	CP10020034
35	Idler pin	1	CP10020035
36	No-stress starting box	1	CP10020036
37	Battery cable	2	CP10020037
38	Key	1	CP10020038
39	Shaft spacer	1	CP10020039
40	Vibration-vamping support	1	CP10020040
41	Vibration-vamping rubber	1	CP10020041
42	No-stress sensor	1	CP10020042
43	No-stress box switch	1	CP10020043



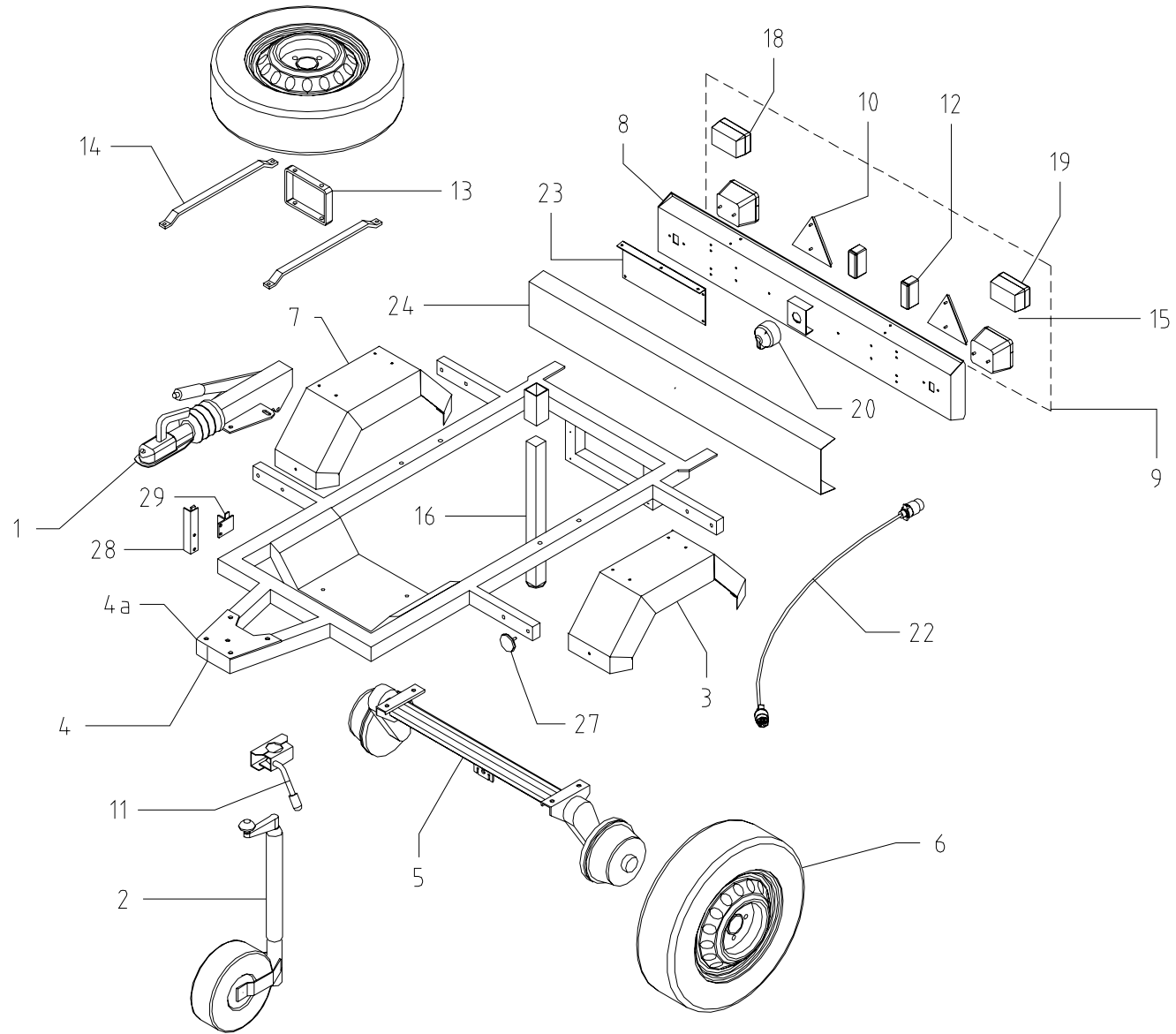
POS.	DESCRIPTION	Q.TY	CODE
1	Drawbar	1	CP10030001
2	Eye tightener M8	1	CP10030002
3	Spring	1	CP10030003
4	Wheel 3.50-8	4	CP10030004
5	Pin	1	CP10030005
6	Bearing 6004 Z	2	CP10030006
7	Swivelled support	1	CP10030007
8	Fixed support	1	CP10030008
9	Axle	1	CP10030009
10	Frame	1	CP10030010
11	Discharge support	1	CP10030011
12	Screw TE M10x20	4	CP10030012
13	Drawbar standstill	1	CP10030013
14	Discharge tube support (long)	1	CP10030014
15	Discharge tube support (short)	1	CP10030015
16	Washer ϕ 10x30	4	CP10030016



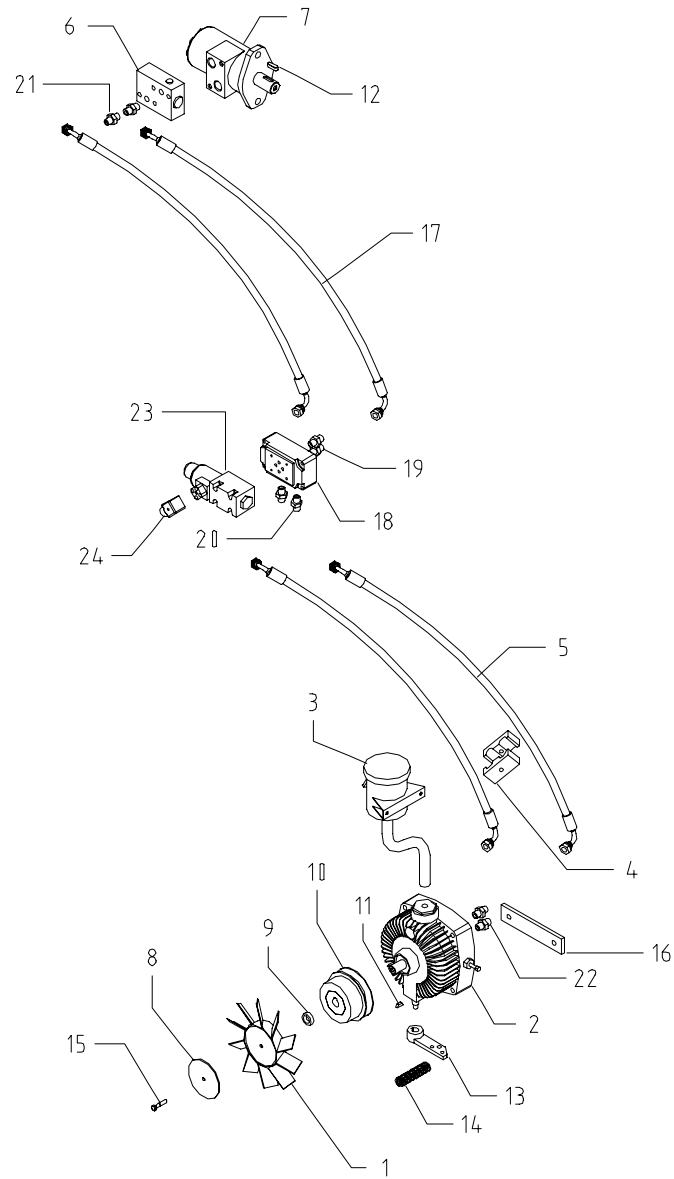
Cippo 10**TABLE 4 - Road trailer 80 Km/h**

POS.	DESCRIPTION	Q.TY	CODE
1	Drawbar	1	CP10040001
2	Jockey wheel	1	CP10040002
3	Mudguard SX	1	CP10040003
4	Frame (Petrol version)	1	CP10040004
4a	Frame (Diesel version)	1	CP10040004a
5	Axle	1	CP10040005
6	Wheel	3	CP10040006
7	Mudguard DX	1	CP10040007
8	Lighting board	1	CP10040008
9	Lighting assembly	1	CP10040009
10	Rear reflector	2	CP10040010
11	Jockey wheel support	1	CP10040011
12	Number plate light	2	CP10040012
13	Support wheel	1	CP10040013
14	Support wheel	2	CP10040014
15	Lighting box DX + SX	2	CP10040015

POS.	DESCRIPTION	Q.TY	CODE
16	Rear support feet	1	CP10040016
18	Reverse motion lighting box	1	CP10040018
19	Reverse fog box lighting	1	CP10040019
20	Cable tap	1	CP10040020
21	Safety belt	1	CP10040021
22	Electric cable	1	CP10040022
23	Number plate support	1	CP10040023
24	Cable protection guard	1	CP10040024
27	Front reflector	2	CP10040027
28	Discharge tube support (long)	1	CP10040028
29	Discharge tube support (short)	1	CP10040029



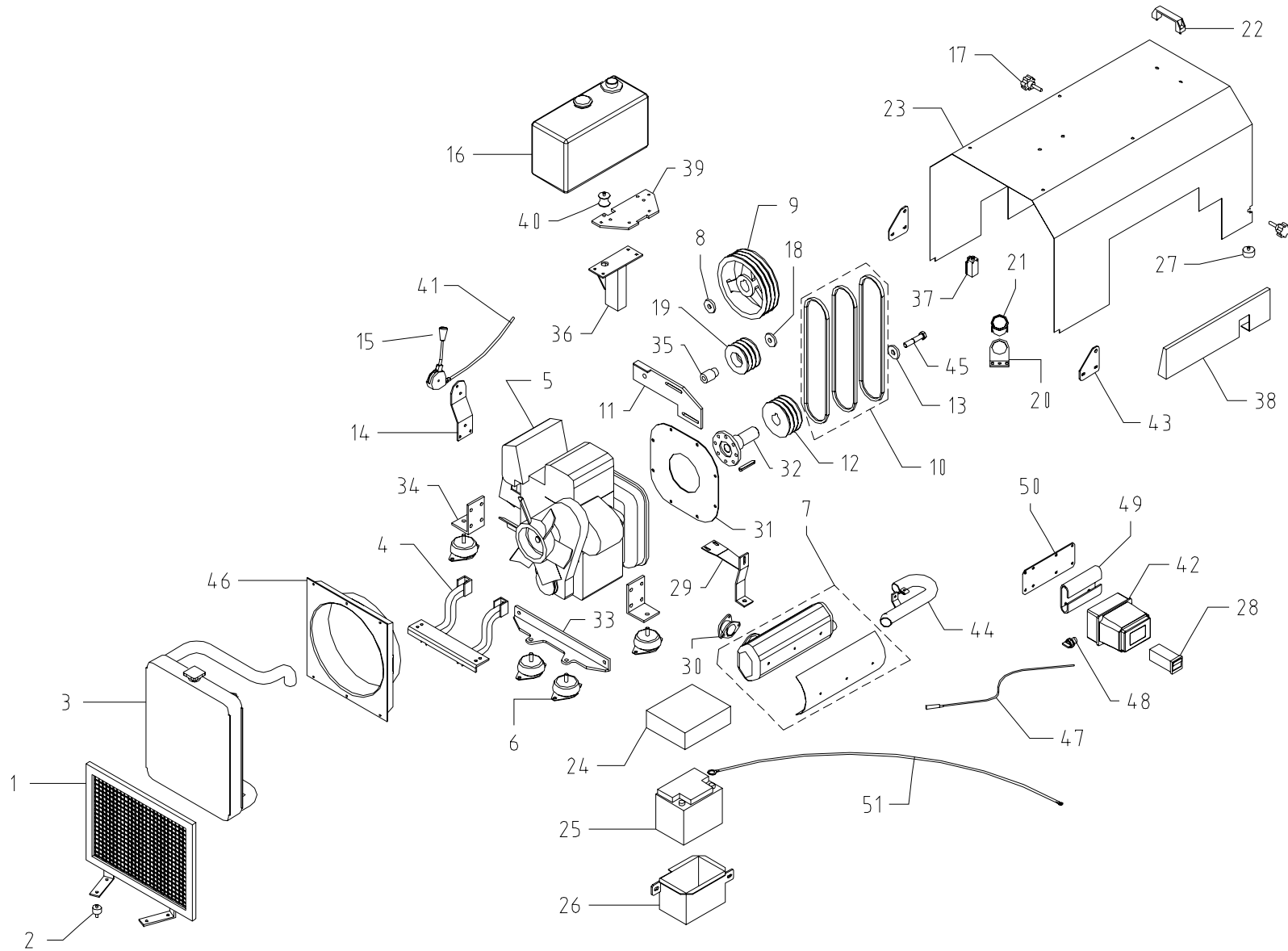
POS.	DESCRIPTION	Q.TY	CODE
1	Cooling fan	1	CP10050001
2	Hydraulic pump	1	CP10050002
3	Hydraulic oil tank	1	CP10050003
4	Hose support	1	CP10050004
5	Hose couple	1	CP10050005
6	Hydraulic valve	1	CP10050006
7	Hydraulic motor	1	CP10050007
8	Washer	1	CP10050008
9	Spacer	1	CP10050009
10	Pulley 1A 95	1	CP10050010
11	Pump key	1	CP10050011
12	Hydraulic motor key	1	CP10050012
13	Pump command pin	1	CP10050013
14	Spring	1	CP10050014
15	Screw UNF	1	CP10050015
16	Pump plate	1	CP10050016
17	Hose couple	1	CP10050017
18	Electro-valve base	1	CP10050018
19	Nipple 1/4"	1	CP10050019
20	Nipple 1/4"	1	CP10050020
21	Nipple 1/4"	1	CP10050021
22	Nipple 1/4"	1	CP10050022
23	Electro-valve 12 V	1	CP10050023
24	Electro-valve connector 12 V	1	CP10050024



Cippo 10**TABLE 6 - Diesel transmission HP 27 D (L)**

POS.	DESCRIPTION	Q.TY	CODE
1	Radiator protection	1	CP10060001
2	Vibration-vamping feet	4	CP10060002
3	Radiator	1	CP10060003
4	Radiator support	1	CP10060004
5	Diesel engine	1	CP10060005
6	Vibration-vamping support	4	CP10060006
7	Muffler	1	CP10060007
8	Washer	1	CP10060008
9	Pulley 3B 212	1	CP10060009
10	Belt B-43	3	CP10060010
11	Idler support	1	CP10060011
12	Engine pulley 3B 132	1	CP10060012
13	Washer	1	CP10060013
14	Accelerator support lever	1	CP10060014
15	Accelerator lever	1	CP10060015
16	Fuel tank	1	CP10060016
17	Wing 6E M10x40	2	CP10060017
18	Washer	1	CP10060018
19	Idler pulley 3B 105	1	CP10060019
20	Counter hour support	1	CP10060020
21	Counter hour	1	CP10060021
22	Hand grip	1	CP10060022
23	Engine case	1	CP10060023
24	Battery protection	1	CP10060024
25	Battery	1	CP10060025
26	Battery box	1	CP10060026
27	Vibration-vamping feet	1	CP10060027

POS.	DESCRIPTION	Q.TY	CODE
28	Electronic no-stress device	1	CP10060028
29	Muffler support	1	CP10060029
30	Muffler joint	1	CP10060030
31	Flange	1	CP10060031
32	Counter shaft	1	CP10060032
33	Engine front support	1	CP10060033
34	Engine rear support	2	CP10060034
35	Idler pulley pin	1	CP10060035
36	Tank support	1	CP10060036
37	Safety switch	1	CP10060037
38	Casing plate	1	CP10060038
39	Tank plate	1	CP10060039
40	Vibration-vamping feet	4	CP10060040
41	Cable accelerator assembly	1	CP10060041
42	No-stress starting box	1	CP10060042
43	Engine case plate	2	CP10060043
44	Mainfold	1	CP10060044
45	Screw TE M16x80	1	CP10060045
46	Conveyor	1	CP10060046
47	Sensor	1	CP10060047
48	No-stress switch	1	CP10060048
49	Vibration-vamping rubber	1	CP10060049
50	Vibration-vamping rubber support	1	CP10060050
51	Battery cable	2	CP10060051



POS.	DESCRIPTION	Q.TY	CODE
1	P.T.O. protection chute	1	CP10070001
2	Clamp	1	CP10070002
4	COMER gearbox	1	CP10070004
5	Plate	1	CP10070005
6	Split pin R	1	CP10070006
7	Pin	1	CP10070007
8	Bracket	2	CP10070008
9	3 rd point pin	2	CP10070009
11	Washer	1	CP10070011
12	Frame	1	CP10070012
14	Screw TE M12x200	1	CP10070014
15	Idler pin	1	CP10070015
16	Idler pulley 3B 105	1	CP10070016
17	Washer	1	CP10070017
18	Pulley 3B 140	1	CP10070018

POS.	DESCRIPTION	Q.TY	CODE
19	Washer	1	CP10070019
20	Gearbox pulley 3B 140	1	CP10070020
21	Belt B-46	3	CP10070021
22	Washer	1	CP10070022
23	Belt casing	1	CP10070023
25	Wheel 3.50-8	2	CP10070025
26	Cardan shaft*	1	CP10070026
27	Bracket spacer	1	CP10070027
28	Screw TE M12x30	1	CP10070028
29	Spacer Sp 18	1	CP10070029
30	Spacer Sp 50	1	CP10070030
31	Screw TE M16x35	1	CP10070031
32	Screw TE M12x30	1	CP10070032
33	Discharge tube support (long)	1	CP10070033
34	Discharge tube support (short)	1	CP10070034
35	Screw TE M10x20	2	CP10070035
36	Washer ϕ 10x30	2	CP10070036

* Optional item

